

# NEXT EVO X



**Next Evo X is the new gas instantaneous water heater featuring a premium Italian design and LED display with easy user interface.**

- / Oxygen free copper heat exchanger
- / Built-in temperature stabilisation
- / Ultra compact – from 165mm in depth
- / Low NOx emissions with lean-rich burner
- / Energy-saving ECO function
- / Post ventilation system & overheat sensor for safety
- / Available in 11L LPG & 16L Natural Gas models
- / Low minimum water pressure at 0.2 bar
- / Low minimum working flow rate at 2.5l/min
- / Conversion kits available for both models
- / Rear spacer supplied with the product for horizontal flueing

ENERGY RATING





ITALIAN DESIGN



FLAT



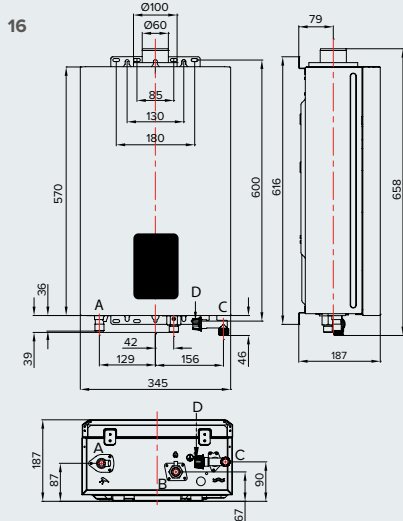
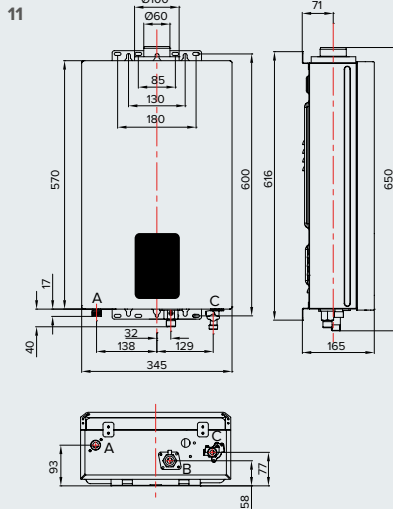
ENERGY EFFICIENT



LED DISPLAY



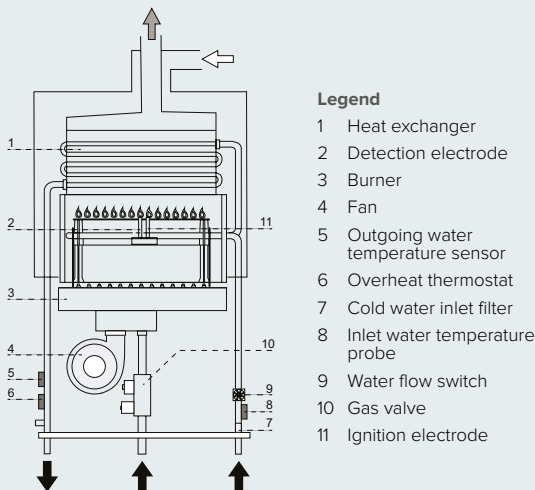
ELECTRONIC TEMPERATURE MANAGEMENT



**NEXT EVO X**

A	1/2" domestic hot water outlet
B	1/2" gas inlet
C	1/2" cold water inlet
D	Drain valve

**Water circuit diagram**



**Legend**

- 1 Heat exchanger
- 2 Detection electrode
- 3 Burner
- 4 Fan
- 5 Outgoing water temperature sensor
- 6 Overheat thermostat
- 7 Cold water inlet filter
- 8 Inlet water temperature probe
- 9 Water flow switch
- 10 Gas valve
- 11 Ignition electrode

**TECHNICAL DATA**

**NEXT EVO X SFT**

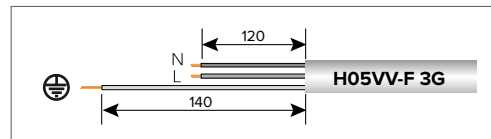
Description		11	16
<b>Efficiency</b>			
ERP Rating	-	A	A
Load Profile		M	XL
Nominal Noise Level	dB	58.0	63.0
Gas Type	-	LPG	Natural Gas
Type	-	C13	C13
<b>Electrical Data</b>			
Power Supply Voltage/Frequency	V/Hz	230 / 50	230 / 50
Max Absorbed Power	W	33.0	44.0
IPX Protection Level		IPX2	IPX2
<b>Power &amp; Performance</b>			
Max Nominal Heat Input	kW	22.0	30.0
Max Thermic Flow Rate based on lower calorific value	kW	19.2	26.9
Min Nominal Heat Input	kW	8.0	9.5
Min Thermic Flow Rate based on lower calorific value	kW	6.8	7.5
Max Outlet Water Temperature	°C	65.0	65.0
Min Outlet Water Temperature	°C	35.0	35.0
Ambient Minimum Working Temperature	°C	5.0	5.0
<b>Characteristics</b>			
Weight	kg	13.0	15.0
Modulation Range		2.8	3.2
Nominal Working Pressure	bar	10.0	10.0
Min Working Pressure	bar	0.2	0.2
Min Operating Flow Rate	l/min	2.5	2.5
Nominal Flow Rate with $\Delta T@25^{\circ}C$	l/min	11.0	16.0
Overall Dimensions (H x W x D)	mm	570 x 345 x 165	570 x 345 x 187
Max Flue Gas Flow	g/s	15.8	24.0
Min Flue Gas Flow	g/s	9.7	14.0
Flue Fume Temperature at Nominal Heat Input Max	°C	158.0	120.0
<b>Product Code</b>		3632535	3632533

**Table of flue gas exhaust duct lengths**

Type	Maximum Extension Exhaust-air (m)		Diameter of pipe (mm)
	NEXT EVO X SFT 11/16		
	MIN	MAX	
C13	0.6	8	60/100

**Electrical connections**

The power supply cable must be connected to a 230V-50Hz network, where the L-N poles and the earth connection are all respected.



**Rear spacer installation**

